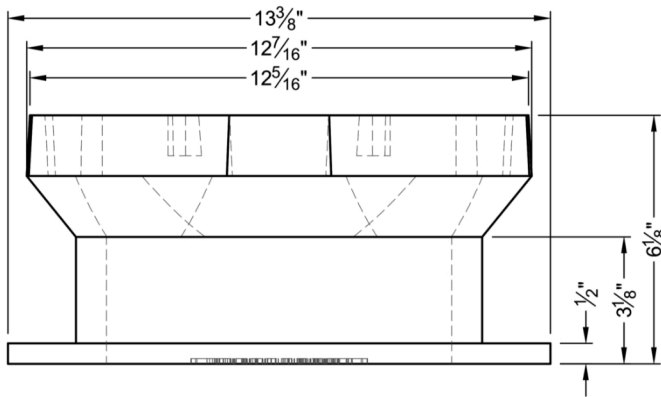
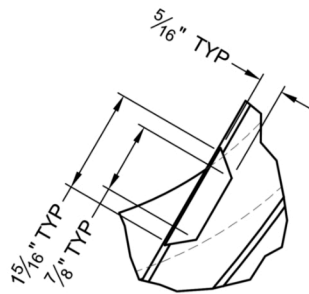
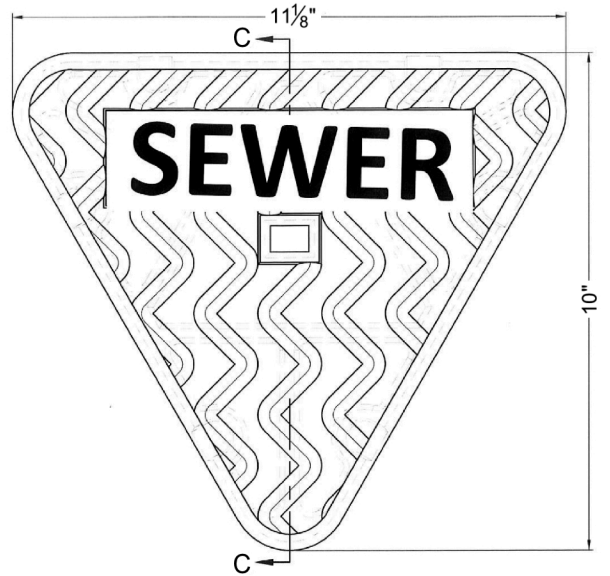


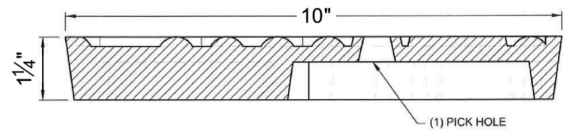
NOTE:
FILLETS ARE NOT SHOWN FOR CLAIRITY
SUPPLIER TO ADD FILLETS AS NEEDED



SECTION A-A



DETAIL B



SECTION C-C

FOR BUILDING SEWER CLEANOUTS IN PAVED AREAS, A
TRAFFIC-RATED BOX AND CAST IRON LID
MUST BE SET OVER THE SCREWED BRASS OR IRON CAP.

SCALE: NONE

ORIGINAL	
09/13/2025	LBH
REVISIONS	

SOUTH DAVIS SEWER DISTRICT

**TRAFFIC-RATED BOX
AND CAST IRON LID**



SHEET:

104-4