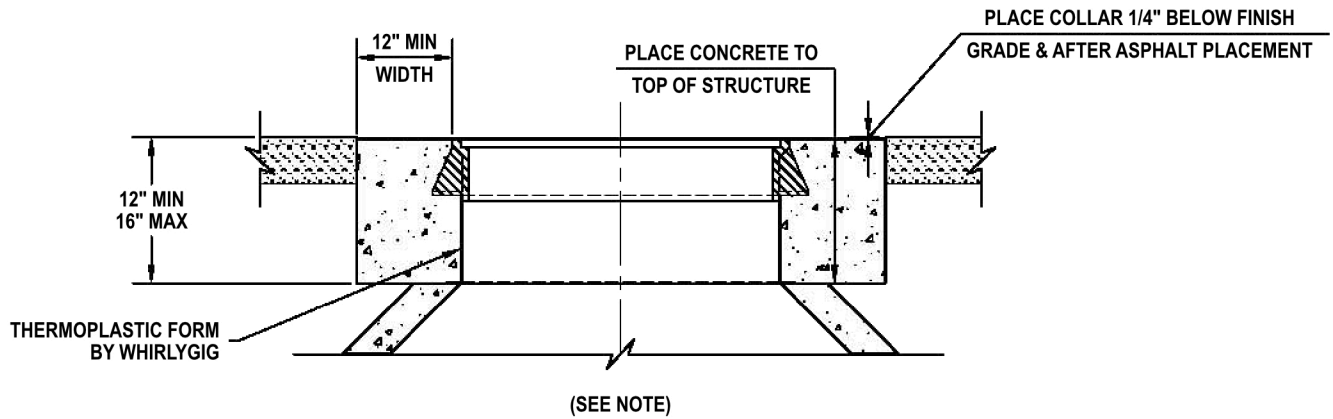


PLAN



SECTION

NOTE:

CONCRETE COLLARS ARE REQUIRED ON ALL MANHOLES IN STREETS, ROADWAYS & OTHER PAVED AREAS. CONSTRUCT CAST-IN-PLACE RISER/COLLAR WITH THERMOPLASTIC FORM BY WHIRLYGIG. THE TOP OF THE CONE (WHICH MAY BE ADJUSTED AS NECESSARY WITH 1, 6-INCH CONCRETE GRADE RING) SHOULD BE NO LESS THAN 12 INCHES BELOW FINISHED GRADE AND NO MORE THAN 16 INCHES BELOW FINISHED GRADE. IN NON-PAVEMENT EASEMENTS ONLY, 6 TO 10 INCHES OF STEEL RISERS MAY BE USED TO ADJUST MANHOLES TO GRADE.

SCALE: NONE

ORIGINAL	
09/13/2025	LBH
REVISIONS	

SOUTH DAVIS SEWER DISTRICT
CONCRETE COLLAR DETAIL



SHEET:

114-6