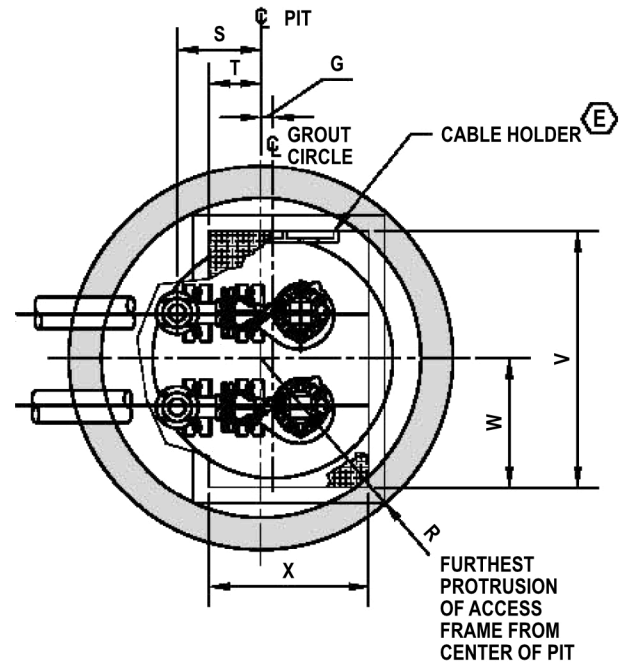


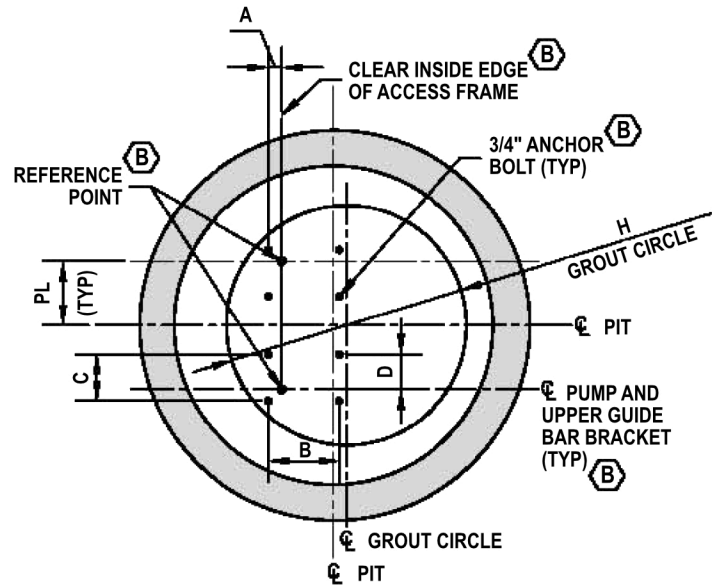
**NOTES:**

- 1 - DRAWING COURTESY OF FLYGT. MODIFICATIONS REQUIRED BY SOUTH DAVIS SEWER DISTRICT (THE DISTRICT) ARE ALSO INCLUDED.
- 2 - FOR OUTLINE DIMENSIONS OF PUMP, SEE FLYGT DRAWING 14-68 00 15.
- 3 - CONFIGURATION AND DIMENSIONS SHOWN ARE MINIMUM REQUIREMENTS ONLY. ALL DETAILS, INCLUDING SIZING OF PIT, TYPE, LOCATIONS AND ARRANGEMENT OF VALVES AND PIPING, ETC. SHALL BE APPROVED BY THE DISTRICT.
- 4 - ACCESS FRAME AND COVER SHALL BE APPROVED BY THE DISTRICT AND SHALL BE EQUIPPED WITH A SAFETY GRATING FOR FALL PREVENTION.
- 5 - THE DIRECTION OF OPENING OF THE WETWELL AND VALVE VAULT ACCESS COVERS SHALL BE APPROVED BY THE DISTRICT.
- 6 - THE LAYOUT OF ALL LIFT STATION FACILITIES (WETWELL, VALVE VAULT, POWER TRANSFORMER, CONTROL PANEL, BOLLARDS, ETC.) SHALL BE APPROVED BY THE DISTRICT. BOLLARDS SHALL BE INSTALLED IN SLEEVES SO THEY CAN BE REMOVED AS NECESSARY.
- 7 - EXHAUST VENTS SHALL NOT BE PERMITTED ON LIFT STATION FACILITIES.
- 8 - FENCING AND ALARM SYSTEM REQUIREMENTS SHALL BE EVALUATED ON A CASE-BY-CASE BASIS. THE DISTRICT MAY REQUIRE A YARD LIGHT.
- 9 - THE LIFT STATION SHALL BE EQUIPPED WITH AT LEAST 5 HP, 3-PHASE FLYGT N-SERIES SUBMERSIBLE PUMPS (WITH HARD-IRON CHOPPER IMPELLER AND INSERT RING), A FLYGT 150 TOP BASIN AND A FLUSH VALVE.
- 10 - A MINIMUM OF 18" OF COMPACTED ROAD BASE WITH 3"-4" OF 1"-MINUS GRAVEL WILL BE REQUIRED IN THE LIFT STATION COMPOUND.
- 11 - MINIMUM LIQUID LEVEL IN WETWELL MAY NOT FALL BELOW TOP OF VOLUTE.

- (A)** INDICATES INFORMATION TO BE DETERMINED BY OTHERS.
- (B)** LOCATE ANCHOR BOLTS USING CLEAR INSIDE EDGE OF ACCESS FRAME AND CENTER LINE OF PUMP AS REFERENCE POINT. BOLT LOCATIONS MUST BE HELD TO MAINTAIN EXACT POSITION OF PUMP RELATIVE TO ACCESS FRAME.
- (C)** CAST ACCESS FRAME AND COVER IN THE LID.
- (D)** CHECK VALVES SHALL FACE AWAY FROM EACH OTHER AND SHALL NOT BE DIRECTED TOWARD THE DISCHARGE SIDE OF THE WETWELL OR TOWARD THE GUIDE BARS.
- (E)** CABLE HOLDER SHALL BE A STAINLESS STEEL UNISTRUT ANCHORED TO THE BOTTOM SIDE OF THE ACCESS COVER.
- (F)** STAINLESS STEEL CHAIN WITH SLING AND GRIP EYE SUFFICIENT TO RETRIEVE PUMPS SHALL BE CONNECTED TO THE PUMPS.
- (G)** MECHANICAL SEALS AND GROUT SHALL BE USED FOR ALL WETWELL AND VALVE VAULT PERFORATIONS.



**TOP VIEW PLAN**



**BASE SECTION PLAN**

DIMENSIONAL CHART																			
NOM. SIZE	VERSION	STATION													COVER				
		A	B	C	D	F	G	H	R	S	T	U	CV	MW	PL	SIZE	V	W	X
3"	STD	2 <sup>5</sup> / <sub>16</sub>	9 <sup>7</sup> / <sub>8</sub>	7 <sup>3</sup> / <sub>4</sub>	3 <sup>7</sup> / <sub>8</sub>	15 <sup>3</sup> / <sub>4</sub>	1	45	36	15 <sup>1</sup> / <sub>2</sub>	9 <sup>1</sup> / <sub>2</sub>	84	9 <sup>1</sup> / <sub>2</sub>	12	9	C	48	24	30
4"	STD	2 <sup>3</sup> / <sub>4</sub>	9 <sup>7</sup> / <sub>8</sub>	7 <sup>3</sup> / <sub>4</sub>	3 <sup>7</sup> / <sub>8</sub>	15 <sup>3</sup> / <sub>4</sub>	1	45	36	16 <sup>1</sup> / <sub>2</sub>	10	84	11 <sup>1</sup> / <sub>2</sub>	12	9	C	48	24	30

ALL DIMENSIONS IN INCHES (VERIFY WITH FLYGT)

SCALE: NONE

ORIGINAL	
04/19/2019	LBH
REVISIONS	
07/07/2020	LBH

**SOUTH DAVIS SEWER DISTRICT**

**LIFT STATION WETWELL DETAIL**



SHEET:

**114-9A**