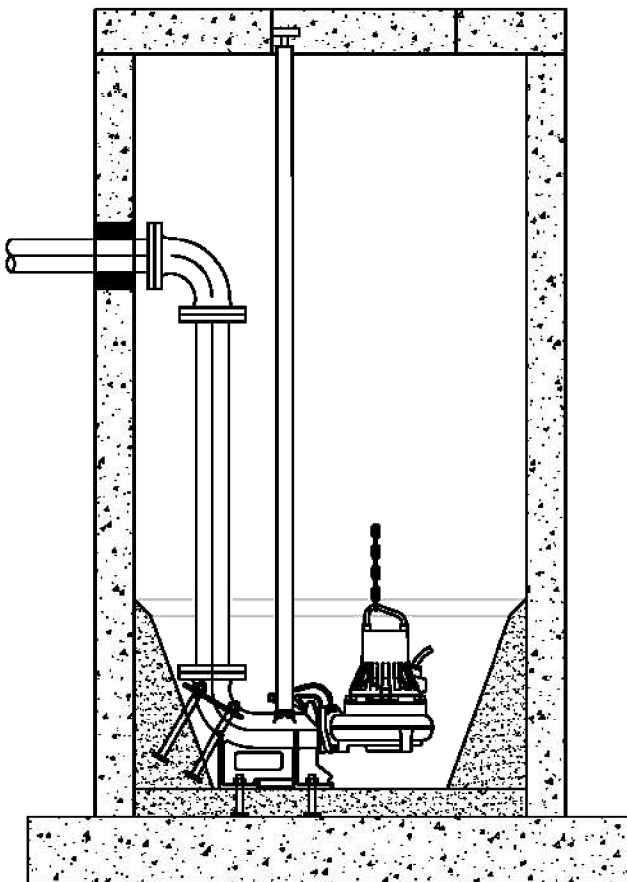
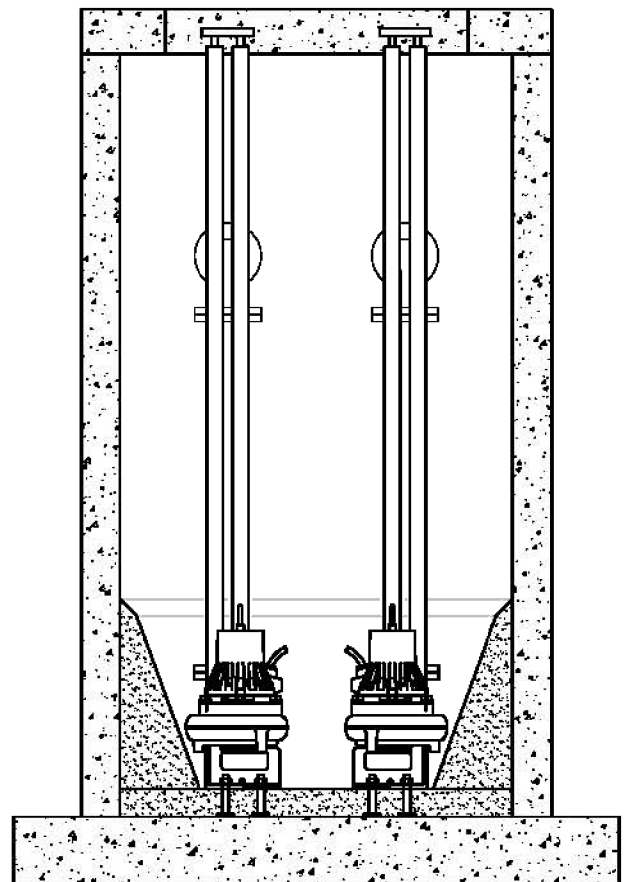


CP3127HT TOP 150 BASIN PLAN



SECTION A



SECTION B

SCALE: NONE

09/13/2025	LBH
ORIGINAL	
REVISIONS	

SOUTH DAVIS SEWER DISTRICT

**LIFT STATION
TOP 150 BASIN DETAIL**



SHEET:

114-8