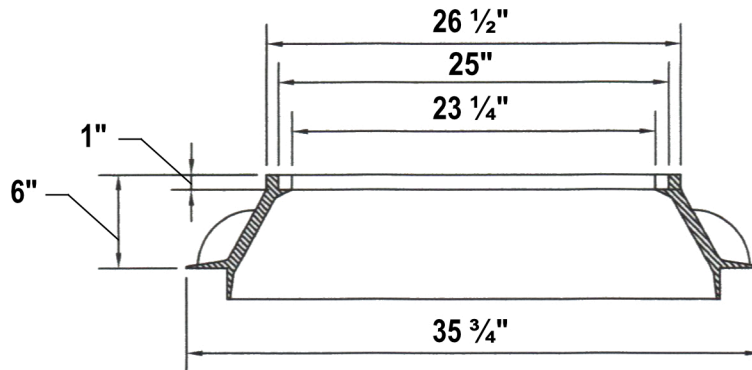
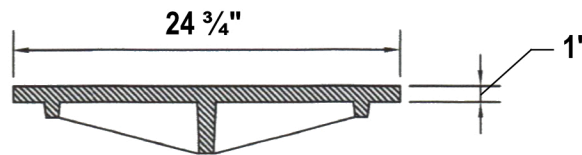


PLAN



SECTION

NOTES:

- 1 - CASTING TO MEET REQUIREMENTS OF ASTM A48 CLASS 35B.
- 2 - CASTING TO BE PAINTED BLACK WITH ASPHALT BASED PAINT.
- 3 - CASTING TO BE FURNISHED WITH MACHINED SEATING SURFACES.
- 4 - MFR NAME AND HEAT/CAST DATE TO BE CAST ON RING & COVER.
- 5 - COUNTRY OF ORIGIN TO BE MARKED PER USCS REGULATIONS.
- 6 - USE OF LOW-PROFILE HARDWARE IS PROHIBITED.

SCALE: NONE

ORIGINAL	
04/18/2019	LBH
REVISIONS	

SOUTH DAVIS SEWER DISTRICT

RING & COVER DETAIL



SHEET:

114-7