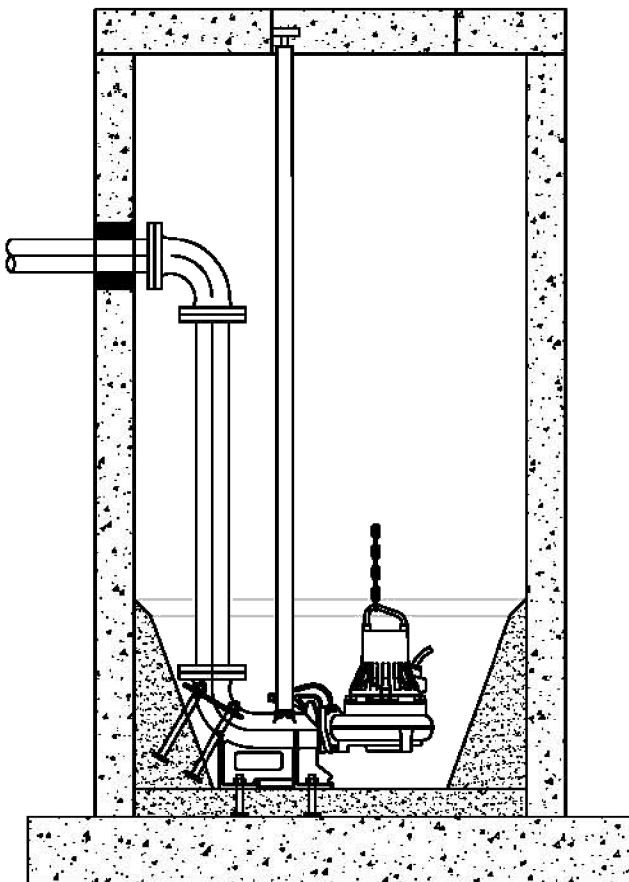
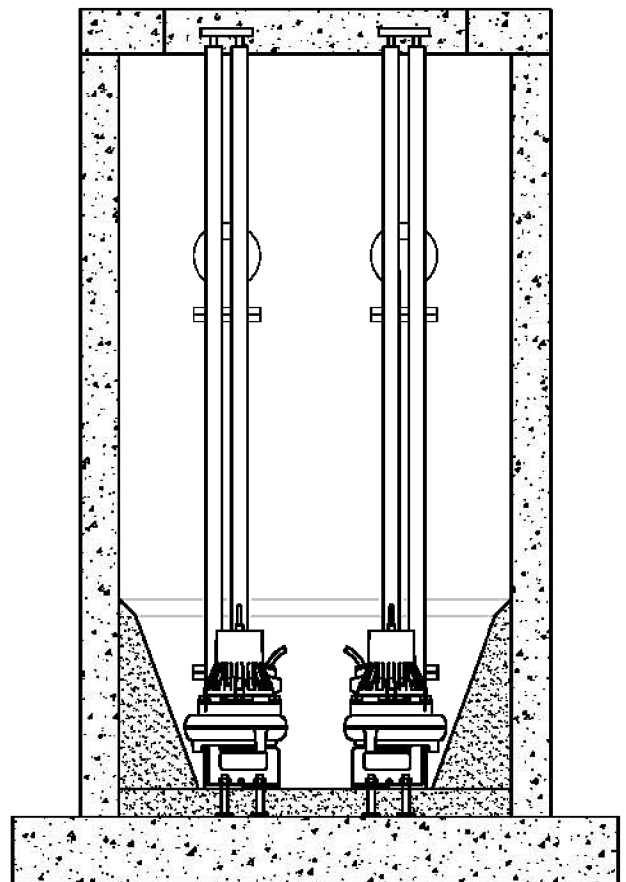


CP3127HT TOP 150 BASIN PLAN



SECTION A



SECTION B

SCALE: NONE

ORIGINAL	
04/19/2019	LBH
REVISIONS	

SOUTH DAVIS SEWER DISTRICT

**LIFT STATION
TOP 150 BASIN DETAIL**



SHEET:

114-10